

STARTER KEG

HAND-HOLE COVER: Provides easy access for cleaning and filling without the need of investing in additional machinery.

SANKEY TYPE SPEAR: Industry standard, you would be able to dispense your beverage through regular tap equipment while offering the possibility to use it in an automatic cleaning and filling line.

MARKING: Our wide range of marking options will make your fleet of kegs look unique.



THE SOLUTION WHICH FITS THEM ALL

THE ADVANTAGES FROM A CORNY AND A SANKEY IN ONE SINGLE PRODUCT

Beverage industry offers different standards for the packaging and dispensing of beer and other beverages in the different places where it is sold. However, we understand that when you are just launching your business, you as a brewer need the maximum flexibility without the need of investing in cleaning and filling equipment. For that reason, the Starter Keg offers the best of two worlds. On one side, its hand hole cover provides ease and safety for cleaning and filling (one of the key advantages from the so-called Corny Kegs), while its Sankey type spear provides the ability to make it fit in any conventional beer dispensing equipment and automatic process.

THIELMANN KEGS

Constructed of strong and durable stainless steel with vulcanized rubber chimes, they represent a great solution for storing and dispesing beer and other beverages. They are easy to clean and built to last a lifetime.

THE BEST QUALITY SYSTEM

Thanks to an optimized manufacturing process we can verify the quality from the pre-production stage up to the nal inspection, where our pioneering leak detection unit can fully check the complete unit (keg including the valve).

PREMIUM STAINLESS STEEL

Our kegs feature top-grade austenitic stainless steel. This material ensures a great protection against corrosion and guarantees years of services even in heavy duty work.

STAINLESS STEEL SAVES CO2.

100% RECYCLABLE.

The use of stainless steel as the base of all our products reduces the carbon footprint and protects the environment, as stainless steel recycles forever.

ADVANTAGES

- OVAL HAND HOLE COVER FOR EASY ACCESS TO THE INTERIOR
- SANKEY TYPE SPEAR
- SLIM DESIGN
- PREMIUM STAINLESS STEEL EN 1.4301 / AISI 304
RECOMMENDED FOR BEVERAGE INDUSTRY
- QUALITY GUARANTEED. THIELMANN IS ISO 9001:2008
CERTIFIED

APPLICATIONS

- BEER
- WINE
- SOFT DRINKS
- CIDER
- JUICES
- WATER

TOP-QUALITY THIELMANN CONTAINERS AND KEGS MADE OF HIGH-GRADE STAINLESS STEEL FOR DEMANDING BRANDS.

THIELMANN serves a large variety of customer industries around the world with the most complete range of stainless steel containers in the market.

The guarantees offered by top-quality, high-grade stainless steel for your industry's beverages give you the best possible distribution solution: hygienic, reliable, safe and 100% recyclable.

This storage and transport solution is made from a material which does not react with any kind of beverage, irrespective of temperature and internal or external conditions, meaning that it maintains the organoleptic properties unaltered.

THIELMANN is an expert on the subject. Because we are market leaders in the manufacture of stainless steel beverage containers and kegs, we have the know-how and the highest quality product to ensure unbeatable standards of hygiene, protection, and assurance.

CUSTOMIZATION

- EMBOSSED LOGO
- SCREEN PRINTING
- COLOR BANDING
- STICKERS
- TRACKING SOLUTIONS

VOLUME

- 20 LITERS



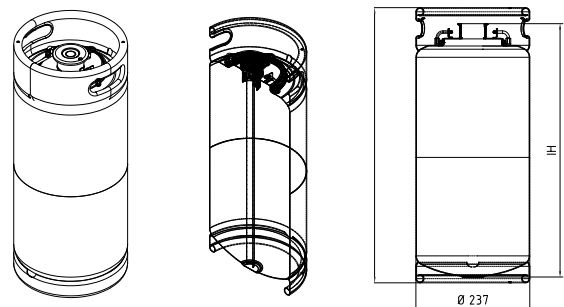
TAKE YOUR BEVERAGES TO ANOTHER LEVEL. KEEP THEIR QUALITY INTACT WITH THIELMANN.

All our products for the beverage industry are manufactured from high-grade austenitic stainless steel.

Because it protects the beverage completely from UV light, pollution particles and corrosion, providing a service life of more than 30 years. Because the resistance of stainless steel and all the safety measurements inside our kegs protects your workers from possible explosions.

And because you can choose the format which best suits your needs: from all stainless steel kegs, kegs with rubber chimes, also known in the industry as RSR (rubber steel rubber) kegs, to our new lightweight solutions, all of which can be customised.

In any case, we would like to assure you that when you rely on THIELMANN, you are relying on a global engineering team, receiving a solution with a geometrically perfect design and, most important of all, we are ready to adapt to your specific needs.



MODEL

Starter Keg 20

VOLUME liters

20

DIAMETER Ømm

237

HEIGHT mm

575