

## STARTER KEG

**EASY CLEANING AND FILLING:** Its hand hole cover allows for manual access.

**SANKEY TYPE SPEAR:** Industry standard for dispensing through regular tap equipment.

**CUSTOMIZATION:** Our wide range of marking options will make your fleet of kegs look unique.



## GREAT SOLUTION FOR SMALL BREWERS

### THE ADVANTAGES FROM A CORNY AND A SANKEY IN ONE SINGLE PRODUCT

The beverage industry offers different standards for the packaging and dispensing of beer and other beverages. However, we understand that small brewers need the maximum flexibility without the need of investing in cleaning and filling equipment. For that reason, the Starter Keg offers the best of two worlds. On one side, its hand hole cover provides ease and safety for cleaning and filling (one of the key advantages of Corny Kegs), while its Sankey type spear provides the ability to make it fit in any conventional beer dispensing equipment.

#### THIELMANN KEGS

Constructed of strong and durable stainless steel, our kegs represent a great solution for storing and dispensing beer and other beverages. They are easy to clean and are built to last for a lifetime.

#### THE BEST QUALITY SYSTEM

Thanks to an optimized manufacturing process we can verify the quality from the pre-production stage up to the final inspection, where our pioneering leak detection unit can fully check the complete unit (keg including the valve).

#### PREMIUM STAINLESS STEEL

Our kegs feature top-grade austenitic stainless steel. This material ensures a great protection against corrosion and guarantees years of services even in heavy duty work.

#### STAINLESS STEEL SAVES CO2 100% RECYCLABLE

The use of stainless steel as the base of all our products reduces the carbon footprint and protects the environment, as stainless steel recycles forever.

## ADVANTAGES

- OVAL HAND HOLE COVER FOR EASY ACCESS TO THE INTERIOR
- SANKEY TYPE SPEAR
- SLIM DESIGN
- PREMIUM STAINLESS STEEL AISI 304 / EN 1.4301 RECOMMENDED FOR BEVERAGE INDUSTRY
- THIELMANN QUALITY

## APPLICATIONS

- BEER
- WINE
- CIDER
- JUICES
- WATER
- COFFEE
- SOFT DRINKS

TOP-QUALITY THIELMANN CONTAINERS AND KEGS MADE OF HIGH-GRADE STAINLESS STEEL FOR DEMANDING BRANDS.

**THIELMANN serves a large variety of customer industries around the world with the most complete range of stainless steel containers in the market.**

The guarantees offered by top-quality, high-grade stainless steel for your industry's beverages give you the best possible distribution solution: hygienic, reliable, safe and 100% recyclable.

This storage and transport solution is made from a material which does not react with any kind of beverage, irrespective of temperature and internal or external conditions, meaning that it maintains the organoleptic properties.

## CUSTOMIZATION

- BRAND NAME EMBOSSING
- SCREEN PRINTING
- COLOR BANDS
- TRACKING SOLUTIONS

## CAPACITY

- 5.25 GAL (20 LITERS)
- 1/2 BBL - 15.70 GAL (59,4 LITERS)
- 1/6 BBL - 5.23 GAL (19,8 LITERS)

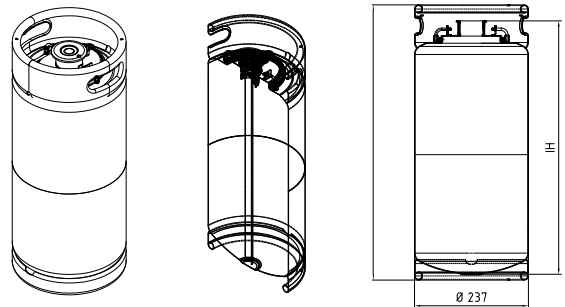


TAKE YOUR BEVERAGES TO ANOTHER LEVEL. KEEP THEIR QUALITY INTACT WITH THIELMANN.

**All our products for the beverage industry are manufactured from high-grade austenitic stainless steel.**

Because it protects the beverage completely from UV light, pollution particles and corrosion, providing a service life of more than 30 years. Because the resistance of stainless steel and all the safety measurements inside our kegs protects your workers from possible explosions.

In any case, we would like to assure you that when you rely on THIELMANN, you are relying on a global engineering team, receiving a solution with a geometrically perfect design and, most important of all, we are ready to adapt to your specific needs.



MODEL	CAPACITY gal/liters	DIAMETER Ø in/mm	HEIGHT in/mm
Starter Keg 20 L	5.38 / 20,4	9.33 / 237	22.20 / 564
Starter Keg 1/6 bbl	5.23 / 19,8	9.33 / 237	21.65 / 550
Starter Keg 1/2 bbl	15.70 / 59,4	15.55 / 395	23.42 / 595